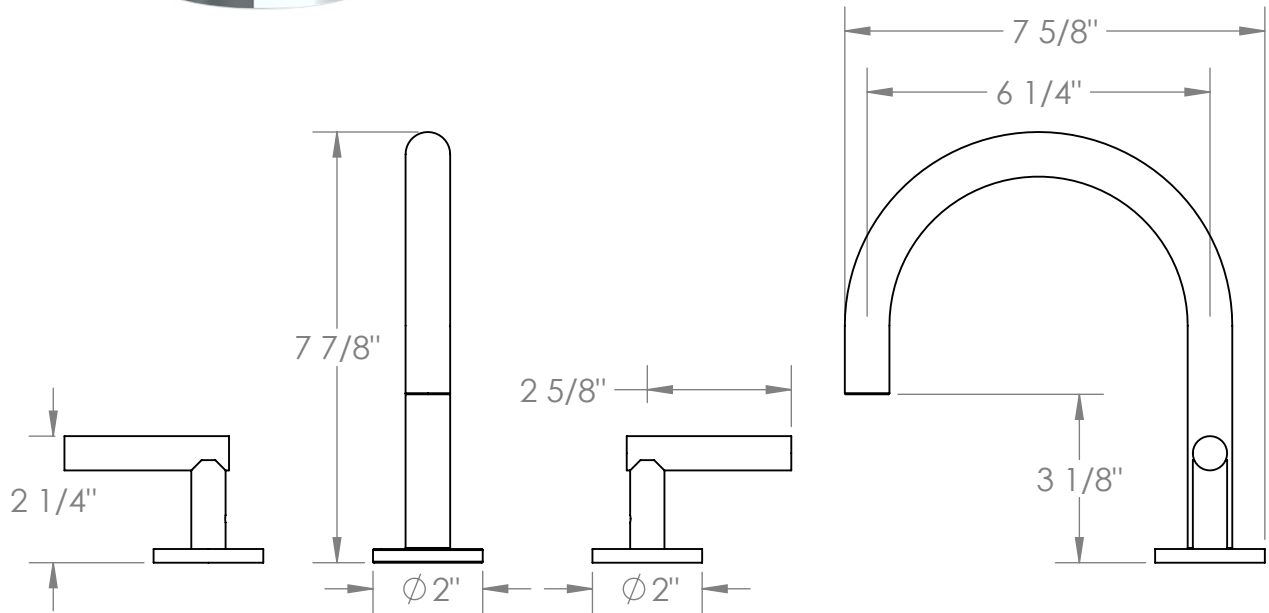


23-2S-L8

Deck Mounted 3 Hole Lavatory Set with Short Spout

Includes MPU5 Soft Touch Drain

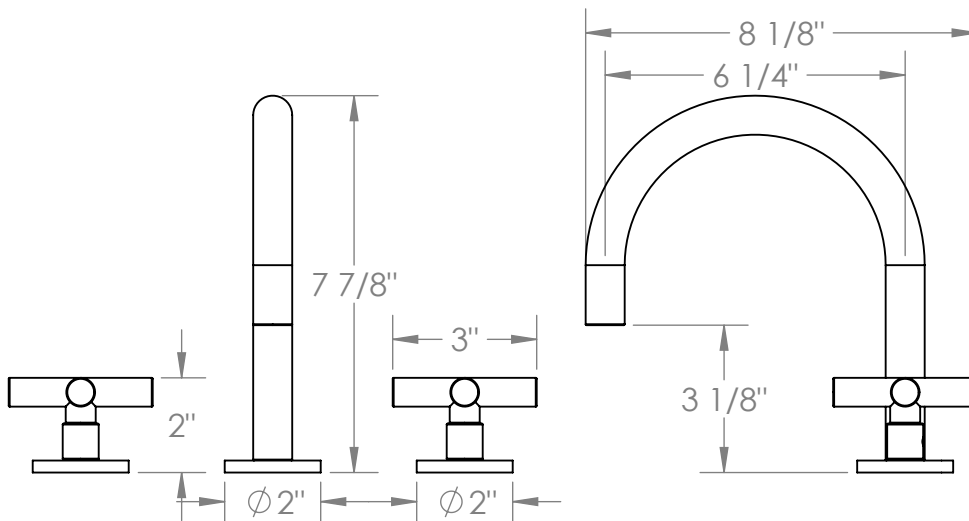
Flow Rate: 1.2 GPM



Meets the applicable requirements of ASME A112.18.1-2005/CSA B125.1-05, entitled "Plumbing Supply Fittings"

23-2S-L9

Deck Mounted 3 Hole Gooseneck Lavatory Set with Small Spout
Includes MPU5 Soft Touch Drain with Overflow
Flow Rate: 1.2 GPM



Meets the applicable requirements of ASME A112.18.1-2005/CSA B125.1-05, entitled "Plumbing Supply Fittings"

WATERMARK DESIGNS 8/23/2019

350 Dewitt Ave Brooklyn NY 11207 USA T 718 257 2800 F 718 257 2144 info@watermark-designs.com